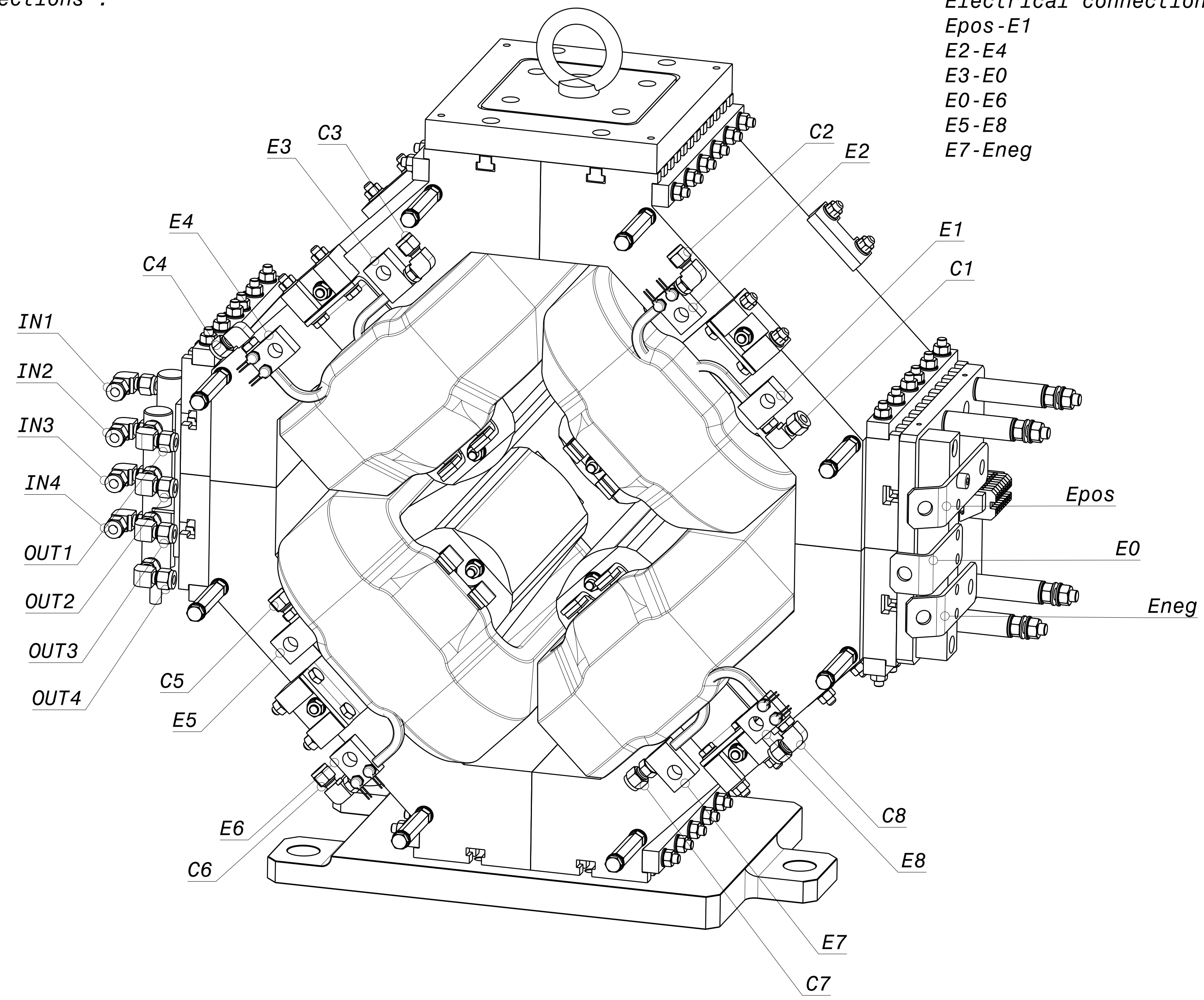
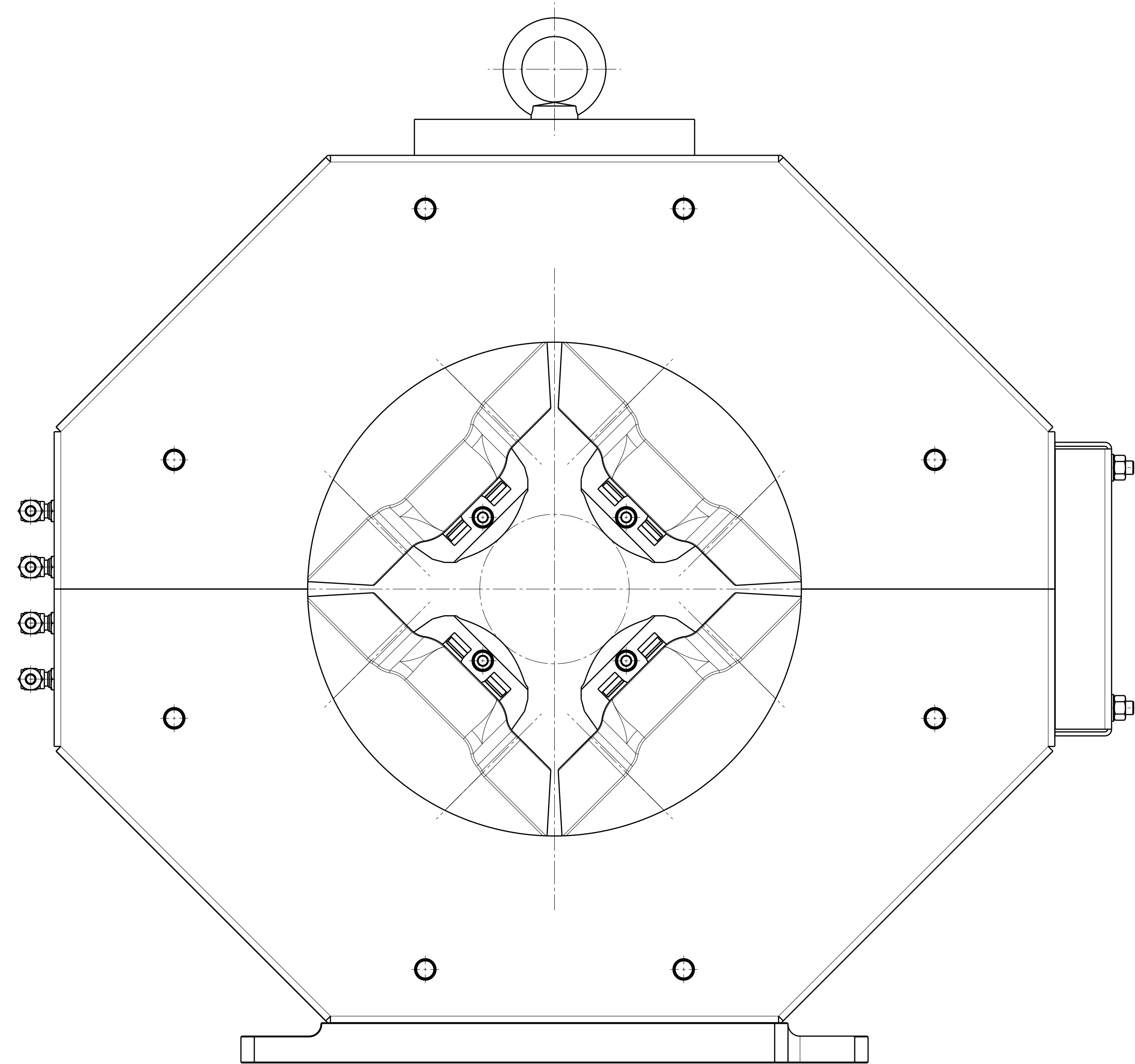


Q6C100 dx
 Cooling connections :
 IN1 - C1
 OUT1 - C2
 IN2 - C3
 OUT2 - C4
 IN3 - C5
 OUT3 - C6
 IN4 - C7
 OUT4 - C8

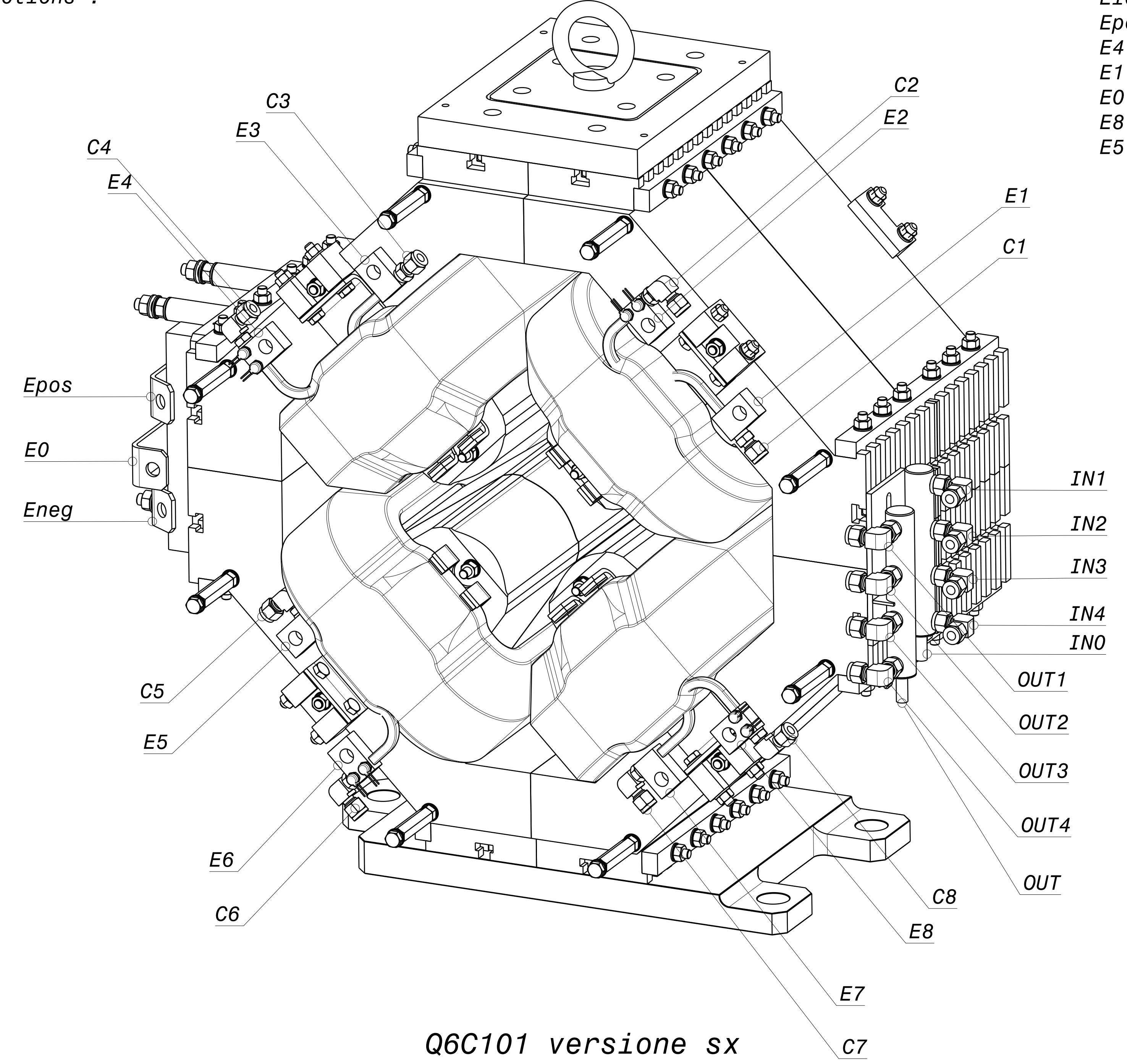


Q6C100 versione dx

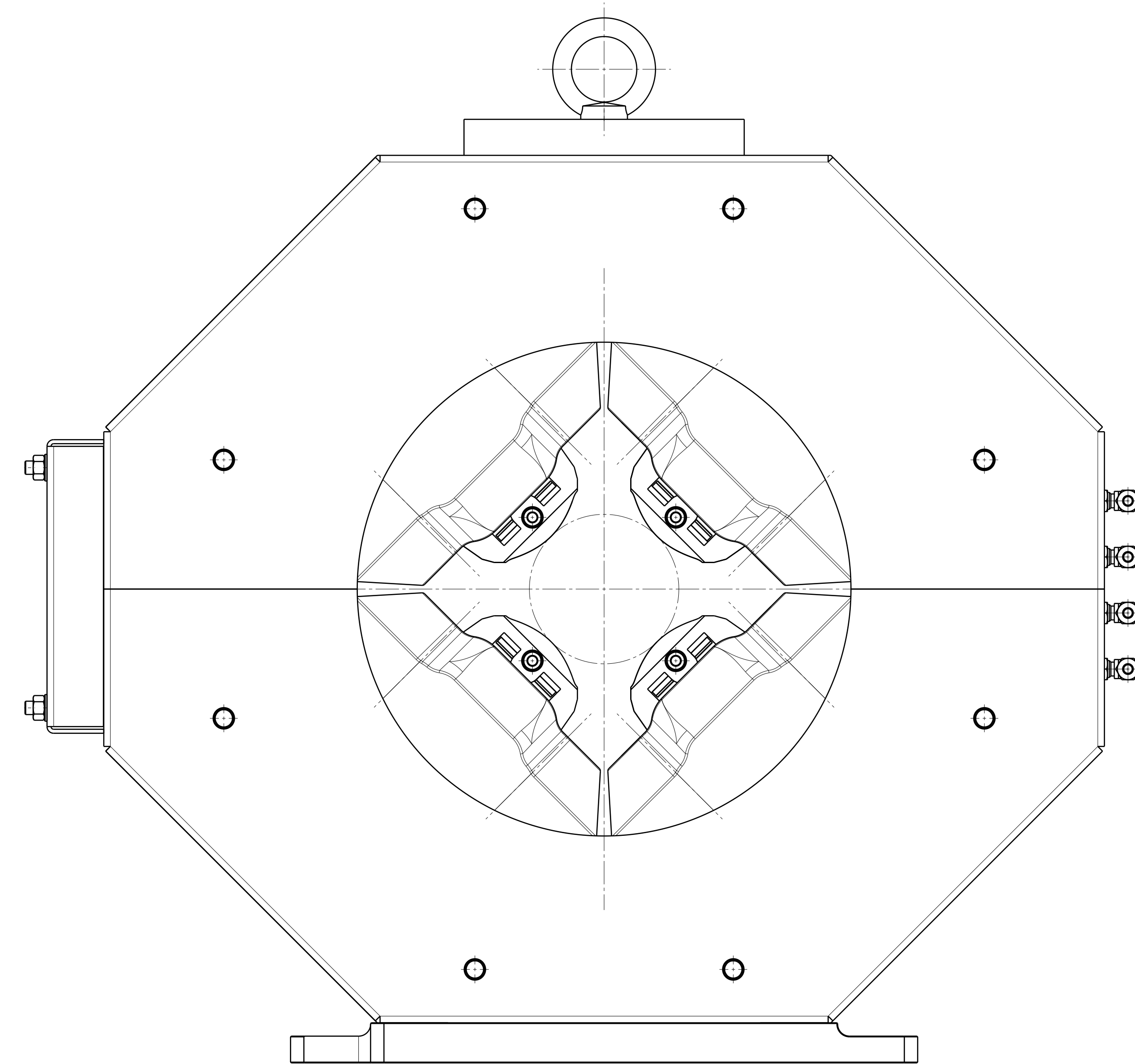


Q6C100 dx
 Electrical connections :
 Epos-E1
 E2-E4
 E3-E0
 E0-E6
 E5-E8
 E7 - Eneg

Q6C101 sx
 Cooling connections :
 IN1 - C3
 OUT1 - C4
 IN2 - C1
 OUT2 - C2
 IN3 - C5
 OUT3 - C6
 IN4 - C7
 OUT4 - C8



Q6C101 versione sx



Q6C101 sx
 Electrical connections :
 Epos-E3
 E4-E2
 E1-E0
 E0-E7
 E8-E6
 E5 - Eneg

Origine Mod. Assembly		Rugosità Roughness		Tolleranze Generali (mm) - Grado Medio General Tolerances (mm)				Togliere tutte le bave Remove all burrs	
Precision Number	Nuovo New	H10 N8	N5 N2	Da/mm A/in	0 ± 0.10	± 0.20	± 0.30	± 0.50	± 1.00
Requi Number	125	3.2	0.4	0.05	± 0.10	± 0.20	± 0.30	± 0.50	± 1.20
Schiusi NON Quotati 0.5x45 NON dim. chamfers: 0.5x45									Materiale Material
Titolo Disegno Drawing Title									
ASSIEME MAGNETE Q6									
Modifica/Revision 1 2		Formato/Size A0		Foglio/Sheet 3/3					
Proj/Dis G. Loda	Data/Date 06/04/2016	Scala/Scale 1:2	Disegno/Drawing N. Q6C100						
Appr/Chk C	Data/Date	Peso/Wgt - kg							

