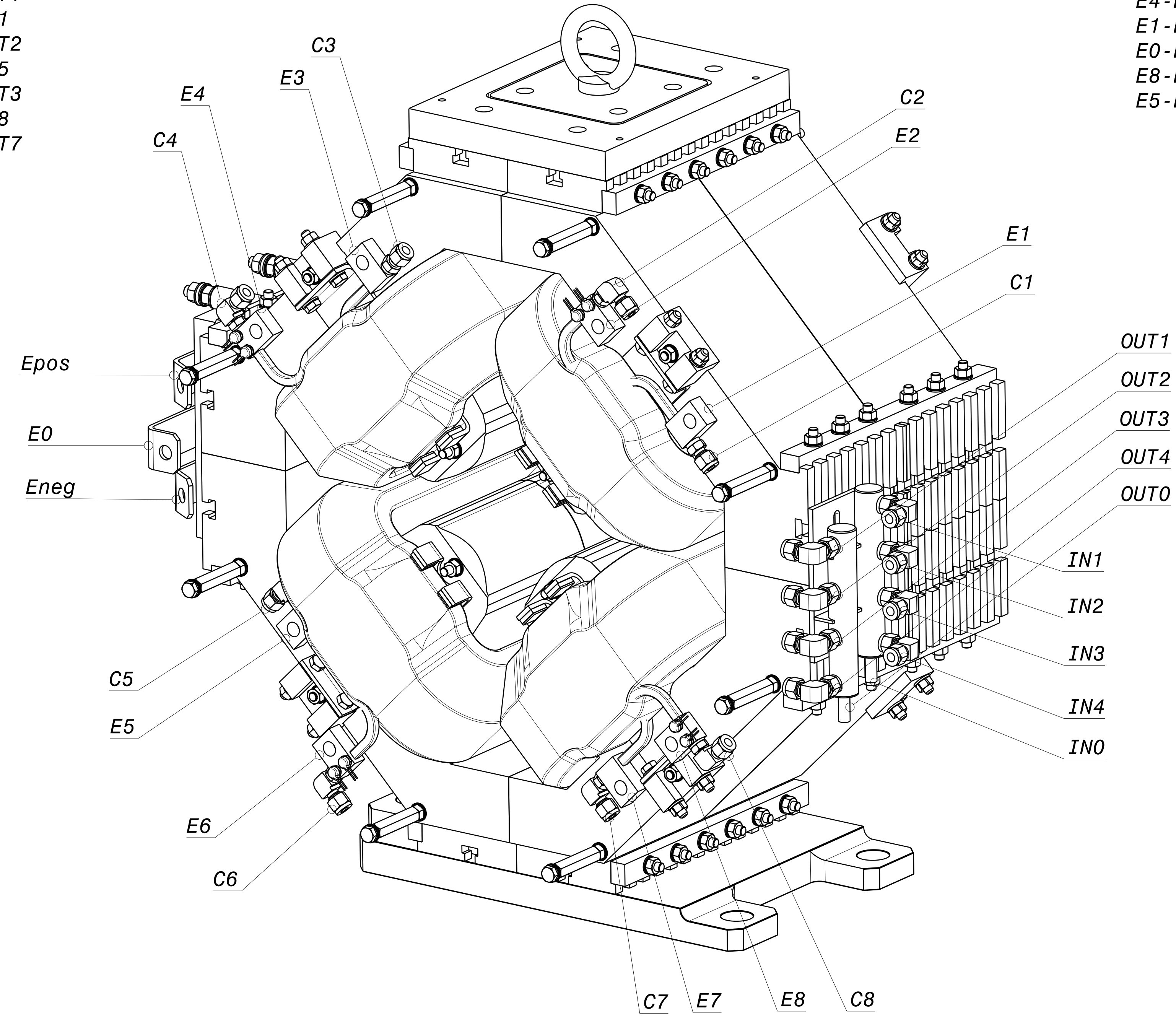


Q7C101 sx
 Cooling connections :
 IN1-C3
 C4-OUT1
 IN2-C1
 C2-OUT2
 IN3-C5
 C6-OUT3
 IN4-C8
 C7-OUT7

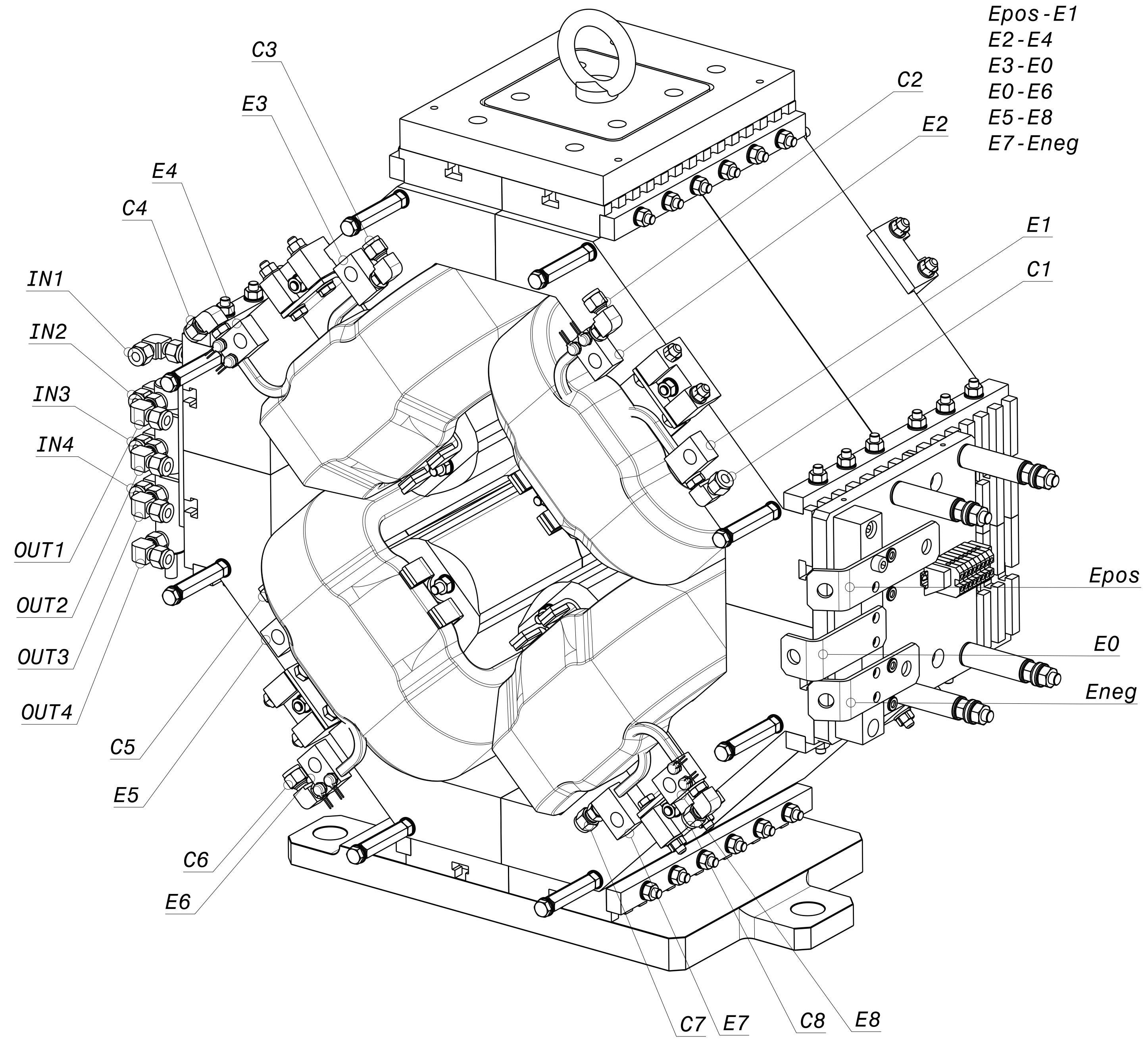


Q7C101 versione sx

Q7C101 sx
 Electrical connections :
 Epos-E3
 E4-E2
 E1-E0
 E0-E7
 E8-E6
 E5-Eneg

OUT1
 OUT2
 OUT3
 OUT4
 OUT0
 IN1
 IN2
 IN3
 IN4
 IN0

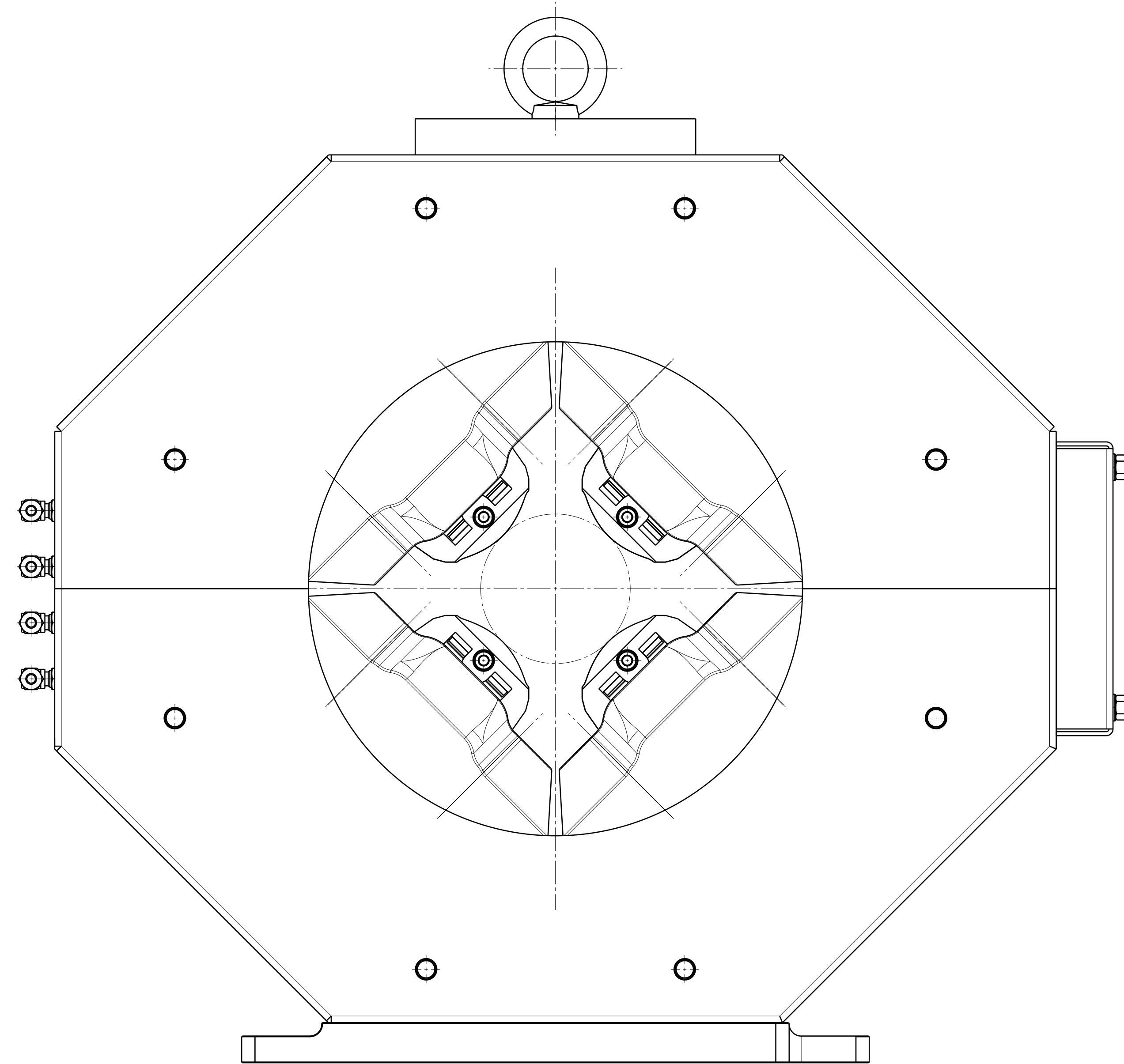
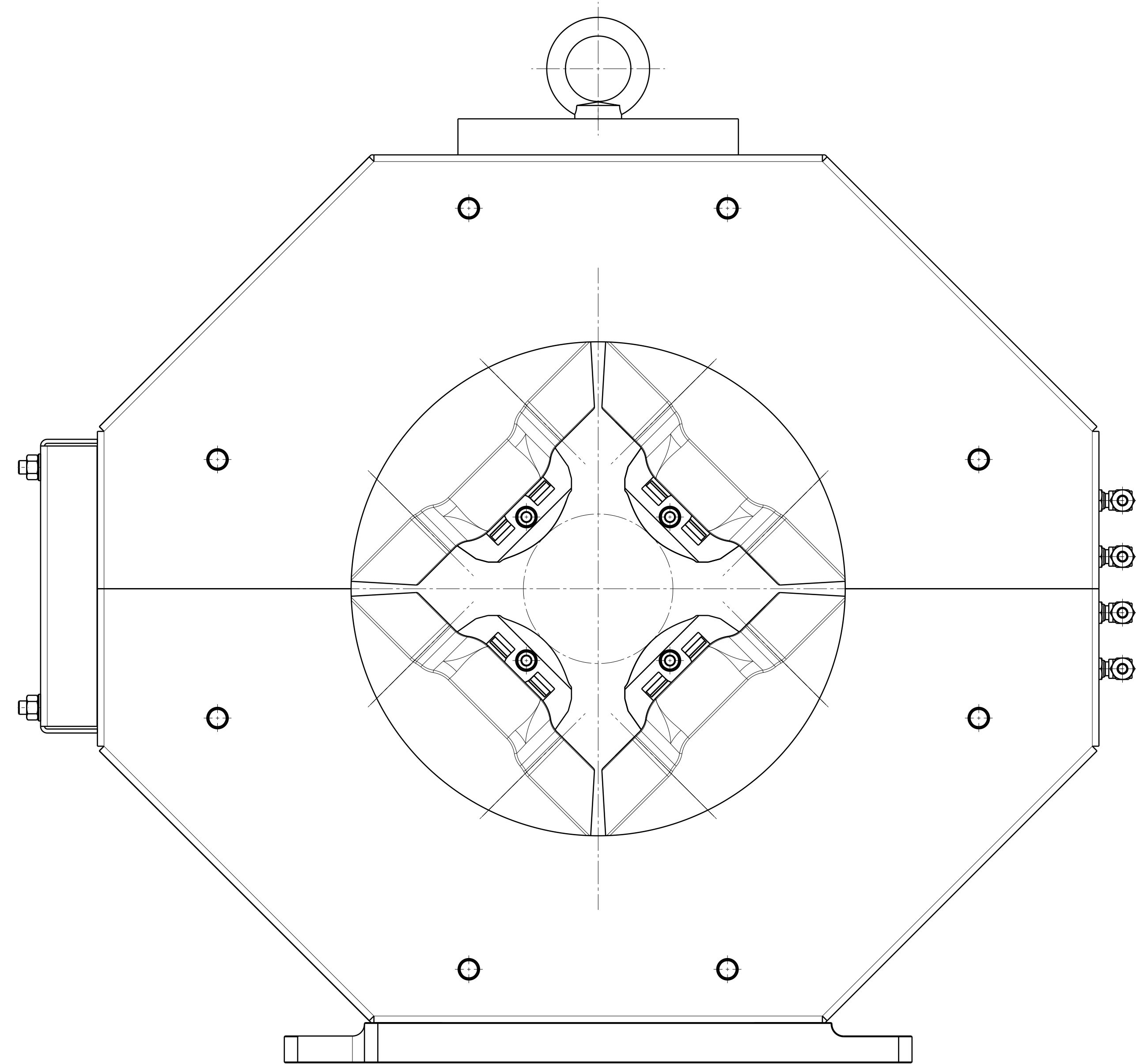
Q7C100 dx
 Cooling connections :
 IN1-C3
 C4-OUT1
 IN2-C1
 C2-OUT2
 IN3-C5
 C6-OUT3
 IN4-C8
 C7-OUT7



Q7C100 versione dx

Q7C100 dx
 Electrical connections :
 Epos-E1
 E2-E4
 E3-E0
 E0-E6
 E5-E8
 E7-Eneg

Epos
 E0
 Eneg



Origin Modifications	Roughness	Tolleranze Generali (mm) - Grado Medio General Tolerances (mm)	Togliere tutte le bave Remove all burrs
Numero Number	H10 N8 N5 N2	Da/mm A/25	Schness NON Qualitati 0.5/45 NON dim. chamfers: 0.5/45
Revisioni Revisions	125 3.2 0.4 0.05	mm mm	Materiale Material
Titolo Disegno Drawing Title		ASSIEME MAGNETE Q7	
Modifica/Revision Modification/Revision	1 2	Formato/Size A0	Foglio/Sheet 3/3
Disegnato Drawn	G. Loda	Data/Date 07/04/2016	Scala/Scale 1:2
Approvato Approved		Disegno/Drawing N. Q7C100	