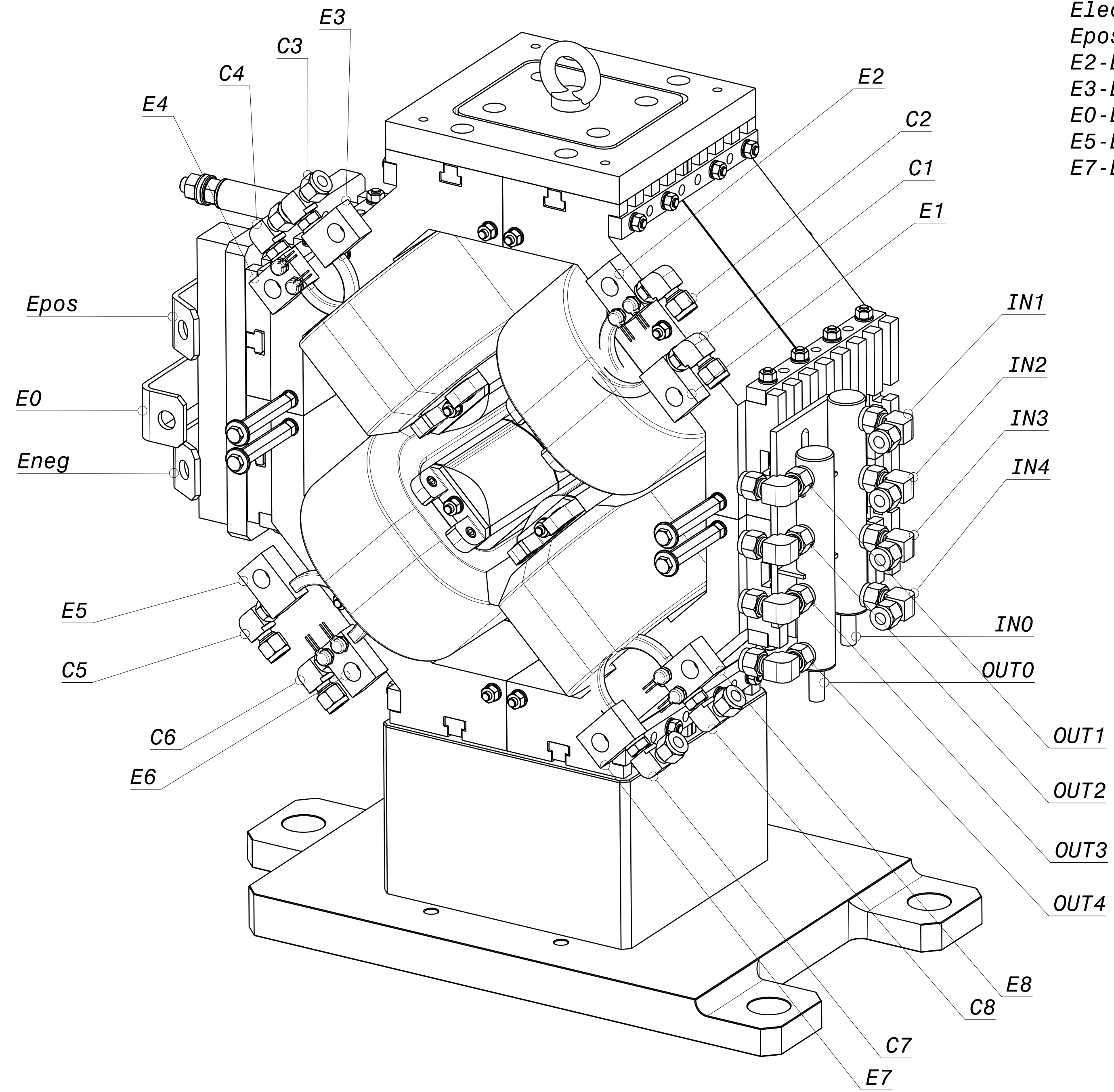


Q5C101 sx

- Cooling connections :**
 IN1-C3
 C4-C1
 C2-OUT1
 IN2-OFF
 OUT2-OFF
 IN3-OFF
 OUT3-OFF
 IN4-C5
 C6-C7
 C8-OUT4



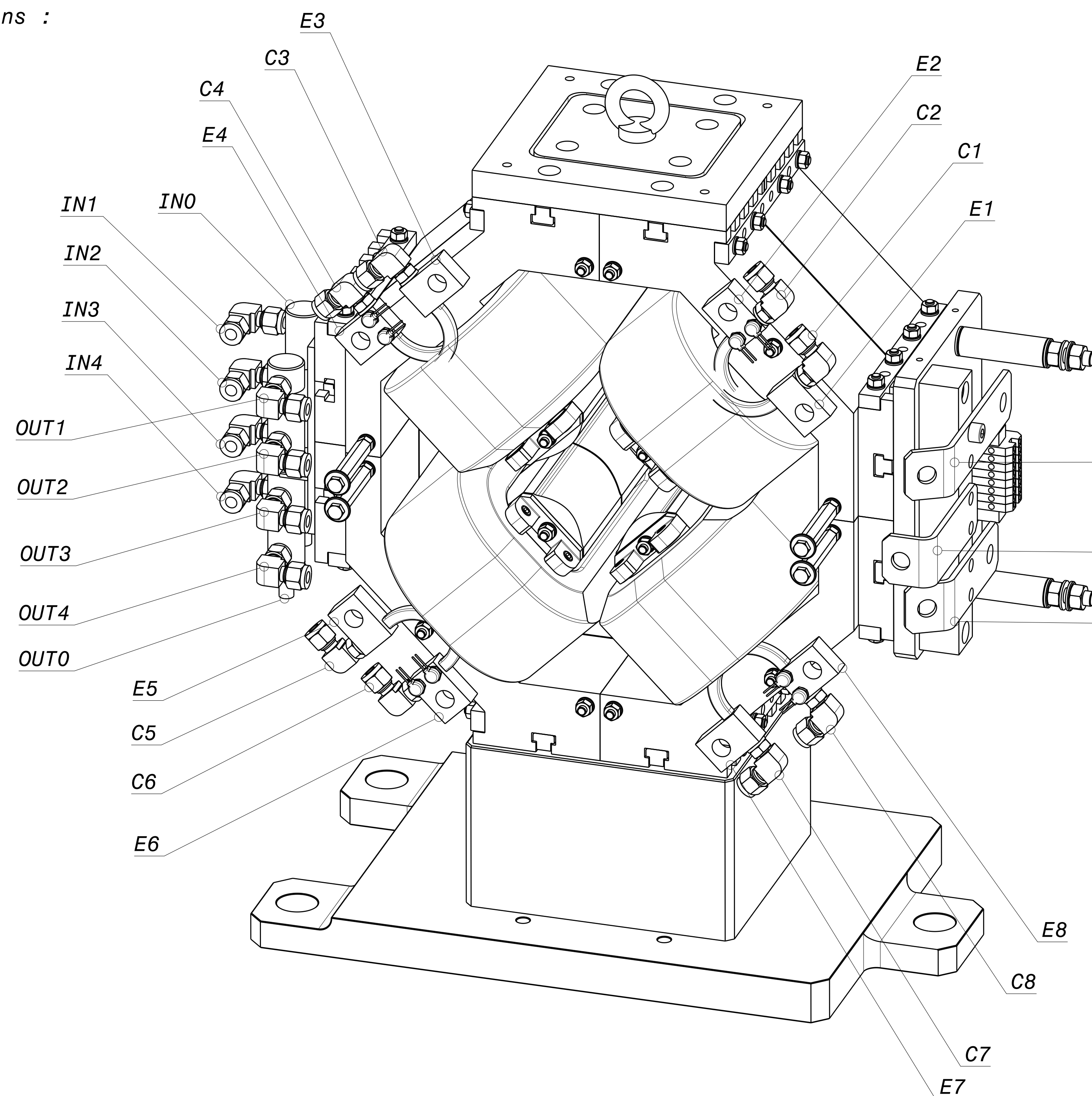
Q5C101 versione sx

Q5C101 sx

- Electrical connections :**
 Epos-E1
 E2-E4
 E3-E0
 E0-E6
 E5-E8
 E7-Eneg

Q5C100 dx

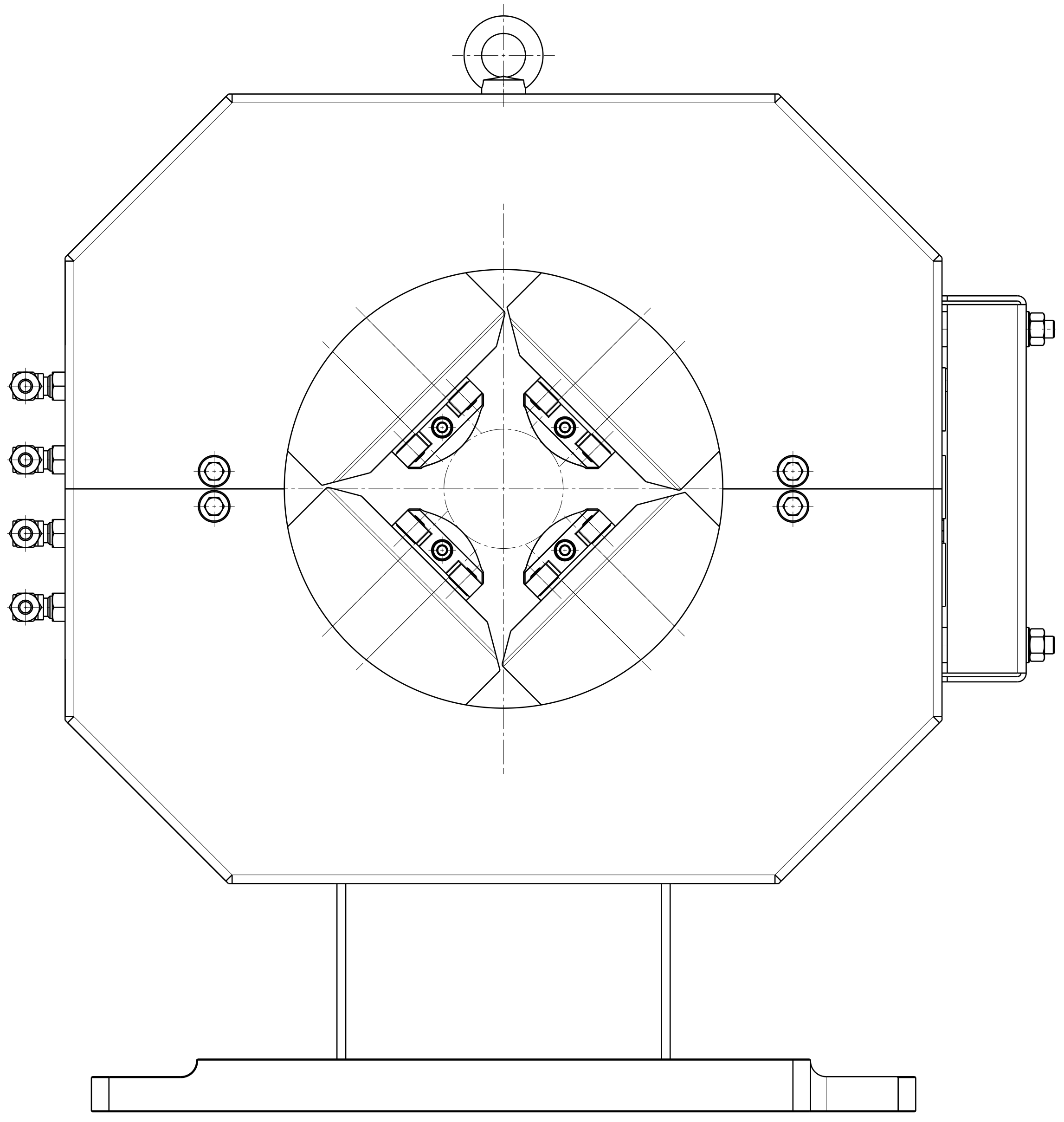
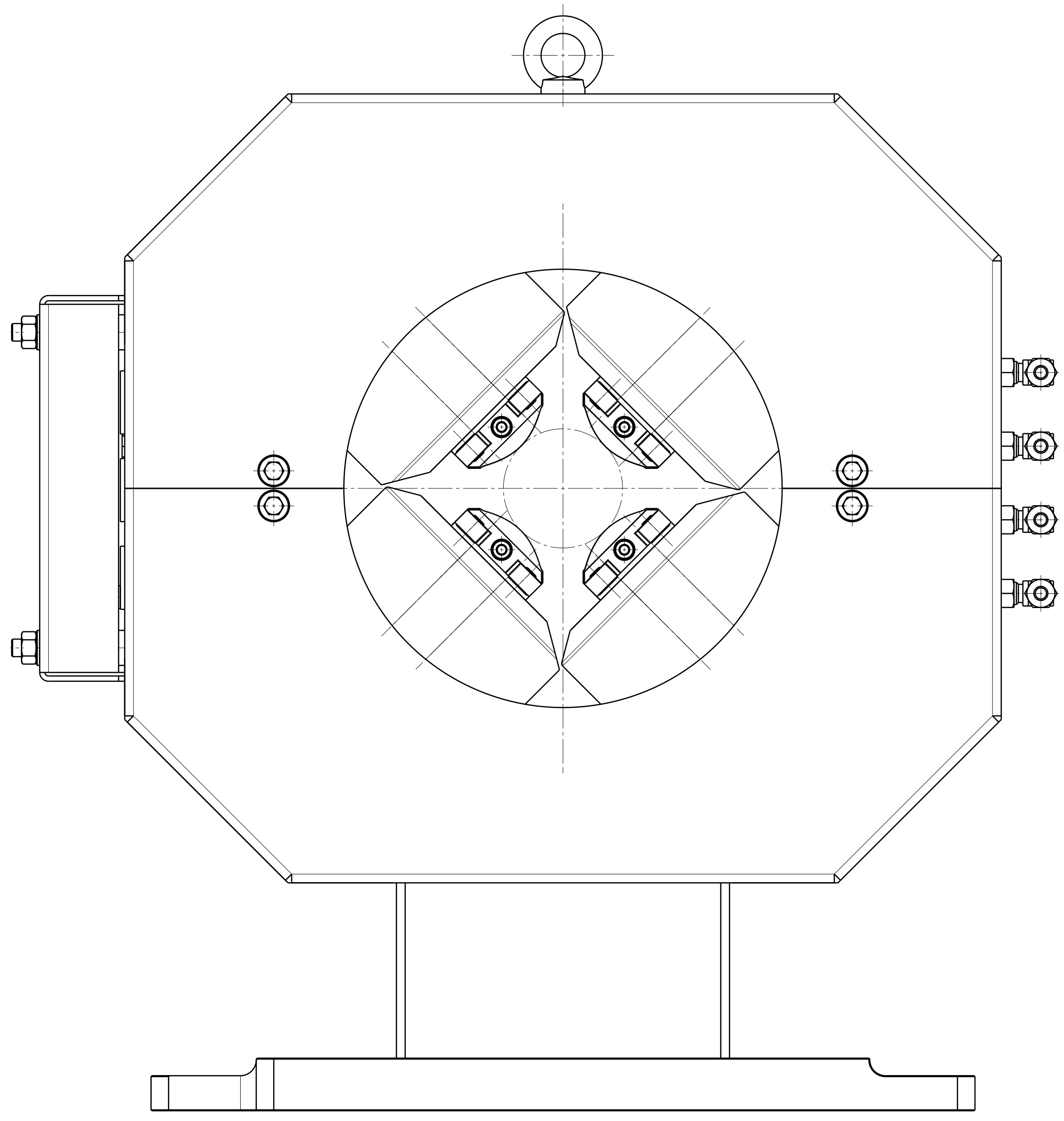
- Cooling connections :**
 IN1-C1
 C2-C3
 IN2-OFF
 OUT2-OFF
 IN3-OFF
 OUT3-OFF
 IN4-C7
 C8-C4
 C6-OUT4



Q5C100 versione dx

Q5C100 dx

- Electrical connections :**
 Epos-E1
 E2-E4
 E3-E0
 E0-E6
 E5-E8
 E7-Eneg



Copie Modificazioni 1 2		Rugosità Roughness H10 H8 N5 N2 Ra 12.5 3.2 0.4 0.05	Tolleranze Generali (mm) - Grado Medio General Tolerances (mm) Da/mm 0 >0 >0.1 >0.15 >0.3 >0.5 >1 >3 >6 >12 >25 >50 >100 >200 >500 >1000	Togliere tutte le bave Remove all burrs Schiusi NON Quotati: 0.5x45 NON dim. chamfers: 0.5x45 Materiale Material
Modifica/Revision 1 2		Formato/Size A0		Foglio/Sheet 3/3
Disegnato G.Loda		Data/Date 04/04/2016		Scala/Scale 1:2
Approvato C		Data/Date		Peso/Weight kg
Titolo Disegno Drawing Title ASSIEME Q5				Disegno/Drawing N. Q5C100